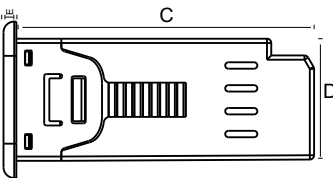
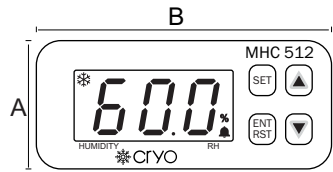




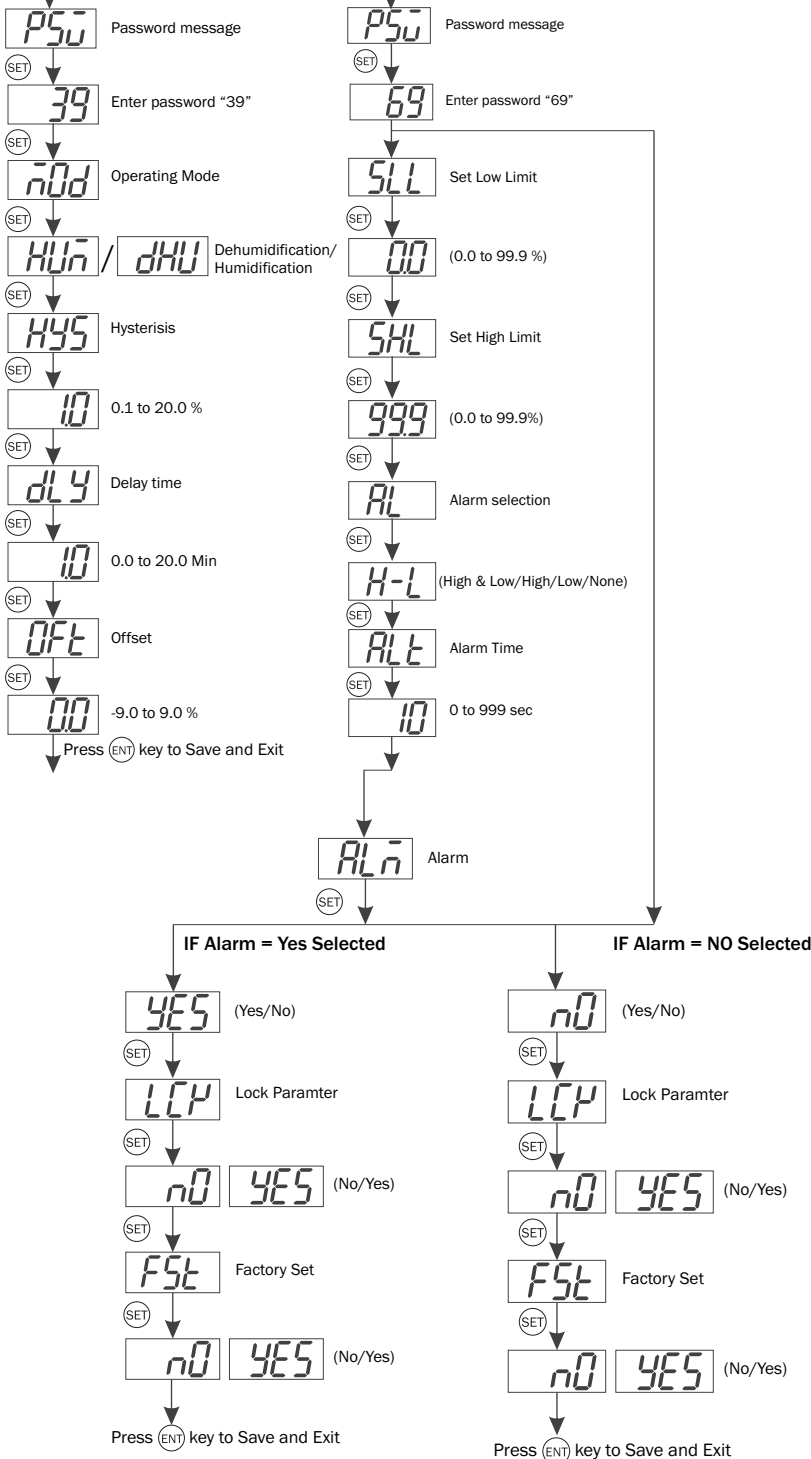
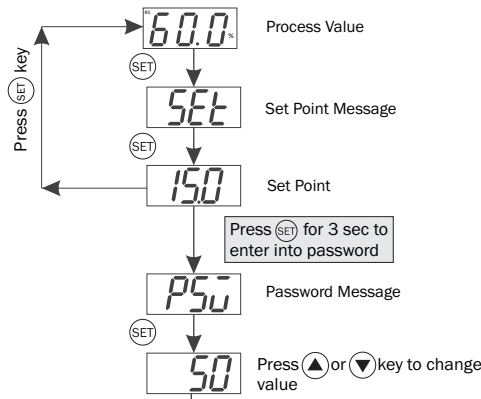
TECHNICAL SPECIFICATION

Model	MHC-512
Display	3 Digit 0.62" 7 Segment RED / WHITE Display
Size (mm)	37 (H) x 78 (W) x 70 (D) mm
Panel Cutout	30 X 71 mm
Input	Humidity Sensor (RH-100)
Output	2 Relay, (NO-C-NC) 1st Relay 2nd Relay for Alarm contact } 10A (Resistive load)
Range	0.0 To 99.9 %
Power Supply	230V AC,50/60Hz,Approx 3VA
Operating Temperature	0°C To 55°C
Relative Humidity	Up to 95% RH Non Condensing

MECHANICAL INSTALLATION



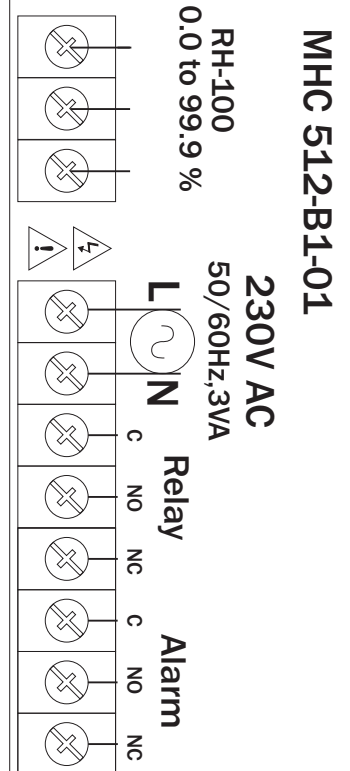
MODEL	DIMENSIONS
A	37mm
B	78mm
C	70mm
D	30mm
E	3mm



NOTE

- Press **SET** Key for go into the parameter
- Press **^** & **v** to change the parameter
- Press **ENT RST** key for exit from the program
- Press **ENT RST** key to reset the Alarm Relay when Alarm condition Occurs
- If No key is Pressed, Menu will Automatically exit after 15 SEC. with saving.

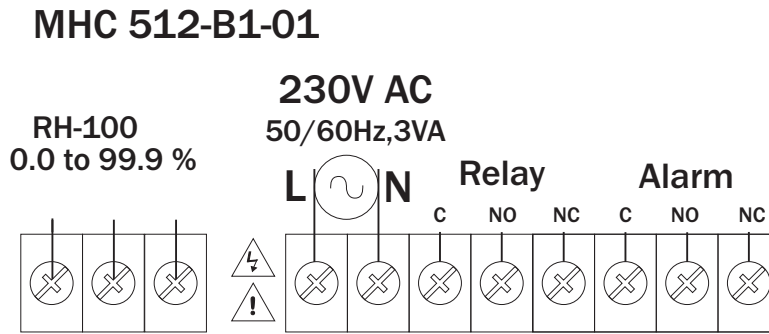
WIRING DIAGRAM



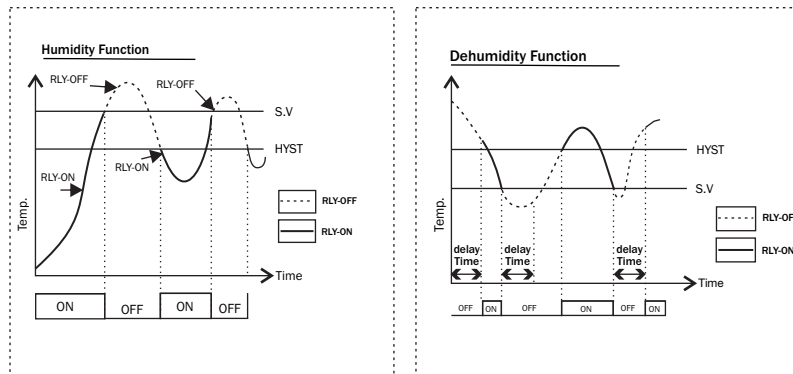
Installation Guidelines

- 1) This equipment, being built-in-type, normally becomes a part of main control panel and such in case the terminals do not remain accessible to the end user after installation and internal wiring.
- 2) Do not allow pieces of metal, wire clippings, or fine metallic fillings from installation to enter the product or else it may lead to a safety hazard that may in turn endanger life or cause electrical shock to the operator.
- 3) Circuit breaker or mains switch must be installed between power source and supply terminal to facilitate power 'ON' or 'OFF' function. However this mains switch or circuit breaker must be installed at convenient place normally accessible to the operator.
- 4) Use and store the instrument within the specified ambient temperature and humidity ranges as mentioned in this manual.

WIRING DIAGRAM



OPERATING MANUAL HUMIDITY CONTROLLER



Factory Set Data	
Parameter	Set
Mode	hum
Hysteresis	1.0 %
Time Delay	1.0 min %
Offset	0.0 %
Set Lower Limit	0.0 %
Set Higher Limit	99.9 %
Alarm	YES
Alarm On Time	10 Sec
Alarm Selection	H - L

Maintenance

- 1) The equipment should be cleaned regularly to avoid blockage of ventilating parts.
- 2) Clean the equipment with a clean soft cloth. Do not use isopropyl alcohol or any other cleaning agent.
- 3) Fusible resistor must not be replaced by operator.

Mechanical Installation Guideline

- 1) Prepare the panel cutout with proper dimensions as show above.
- 2) Fit the unit into the panel with the help of clamp given.
- 3) The equipment in its installed state must not come in close proximity to any heating source, caustic vapors, oils steam, or other unwanted process by products.
- 4) Use the specified size of crimp terminal (M3.5 screws) to wire the terminal block. Tightening the screws on the terminal block using the tightening torque of the range of 1.2 N.m.
- 5) Do not connect anything to unused terminals.

Safety Precautions

All safety related codifications, symbols and instructions that appear in this operating manual or on the equipment must be strictly followed to ensure the safety of the operating personnel as well as the instrument.

If all the equipment is not handled in a manner specified by the manufacturer, it might impair the protection provided by the equipment .

=> Read complete instructions prior to installation and operation of the unit.

⚠ WARNING : Risk of electric shock.

Warning Guidelines

- 1) To prevent the risk of electric shock power supply to the equipment must be kept OFF while doing the wiring arrangement. Do not touch the terminals while power is being supplied.
- 2) To reduce electro magnetic interference, use wire with adequate rating and twists of the same of equal size shall be made with shortest connection.
- 3) Cable used for connection to power source, must have a cross section of 1mm or greater. These wires should have insulations capacity made of at least 1.5kV.
- 4) When extending the thermocouple lead wires, always use thermocouple compensation wires for wiring for the RTD type, use a wiring material with a small lead resistance (5Ω max per line) and no resistance differentials among three wires should be present.
- 5) A better anti-noise effect can be expected by using standard power supply cable for the instrument.



Temperature & Humidity Controllers

Designed for Refrigeration & HVAC

A wide range of controllers for managing various refrigeration applications.

A brand by **MULTISPAN**

www.multispandinia.com

Product improvement and upgrade is a constant procedure. So for more updated operating information and support, Please contact our helpline : +91-9978991483/81 or Email at service@multispandinia.com Ver: 2208